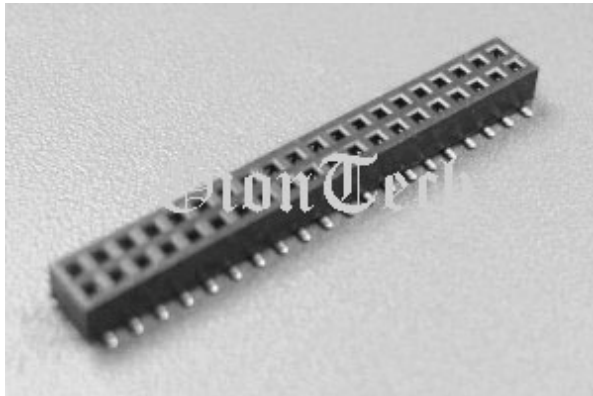


1.27mm Dual Row Female Header, Vertical, SMT Type (with Post):

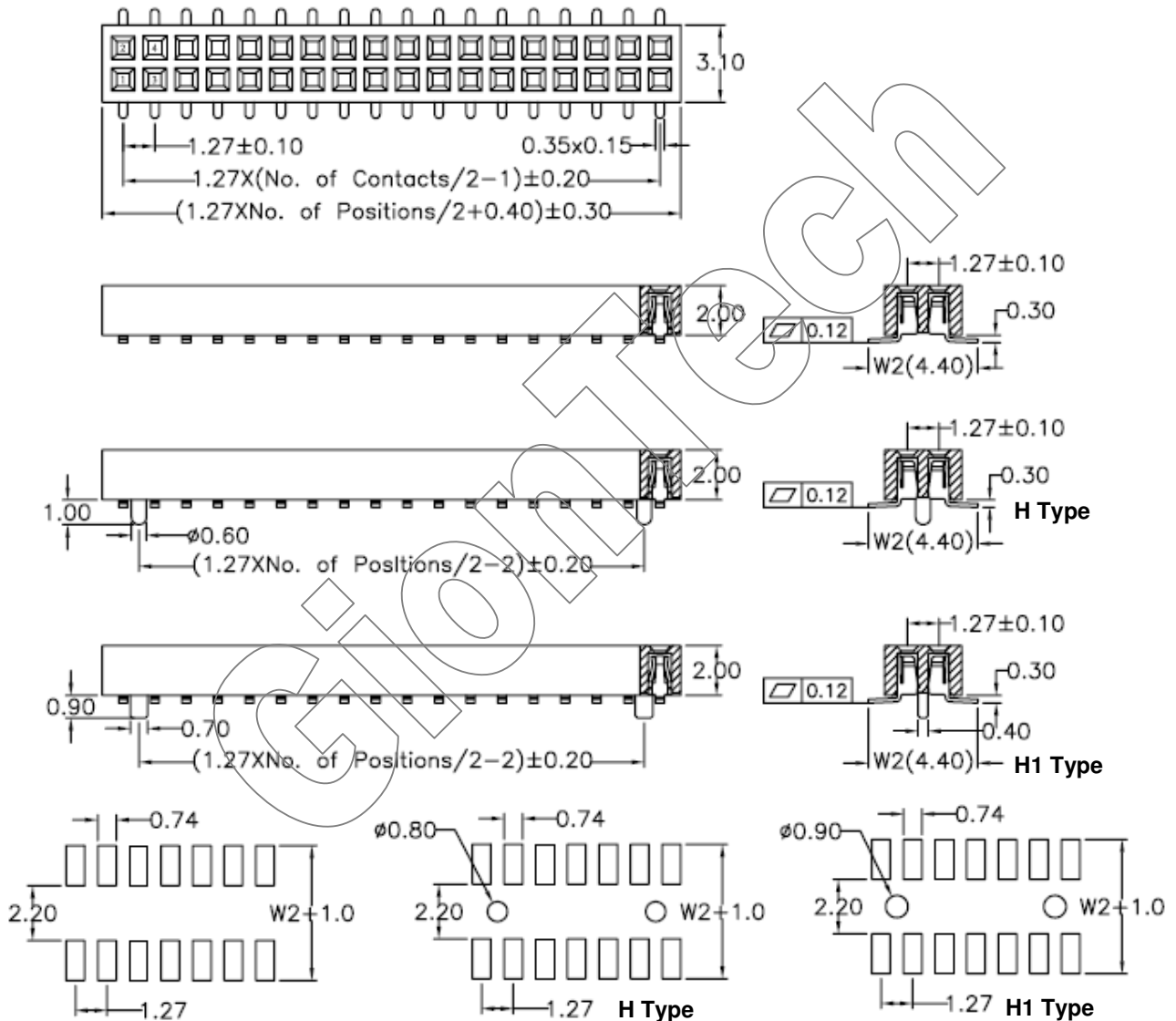


SPECIFICATIONS

Pitch:	1.27 mm
Number of contacts:	4/6 to 80 pins
Current Rating:	2.5A
Operating Temperature:	-55°C ~+105°C
Relative Humidity:	93%, +40°C
Dielectric Withstanding:	300V AC/minute
Contact Resistance:	≤ 20 mΩ/Contact
Insulator Resistance:	≥ 1000 MΩ at 100V
Soldering Temperature:	230°C, 30-60s max. 260°C, 10s max.
Material:	
Base:	Nylon6T/LCP, UL94V-0
Contact Pin:	Copper Alloy
Contact Plating:	Au or Sn Over 50u" Ni

ROHS Compliance

PHF1.27-2xXAB (H=2.0) / PHF1.27-2xXABH (H=2.0) / PHF1.27-2xXABH1 (H=2.0)



Recommended PCB layout